



# CMR

GROUP

**Sondes de temperature  
pour atmosphere explosible**

*Temperature probes for  
explosible atmosphere*



## CERTIFICATE

**(1) EU-Type Examination**

**(2) Equipment or protective systems intended for use in potentially explosive atmospheres - Directive 2014/34/EU**

**(3) EU-Type Examination Certificate Number: DEKRA 17ATEX0091 Issue Number: 0**

**(4) Product: Temperature sensors series AD and ASI**

**(5) Manufacturer: CMR Group.**

**(6) Address: Technopole de Château Gombert, 7 rue John Maynard Keynes CS 80012, 13388 Marseille cedex 13, France**

**(7) This product and any acceptable variation thereto is specified in the schedule to this certificate and the documents therein referred to.**

**(8) DEKRA Certification B.V., Notified Body number 0344 in accordance with Article 17 of Directive 2014/34/EU of the European Parliament and of the Council, dated 26 February 2014, certifies that this product has been found to comply with the Essential Health and Safety Requirements relating to the design and construction of products intended for use in potentially explosive atmospheres given in Annex II to the Directive.**

The examination and test results are recorded in confidential test report number NL/DEKEXTR18.0021/00.

**(9) Compliance with the Essential Health and Safety Requirements has been assured by compliance with:**

**EN 60079-0 + A11 : 2013 EN 60079-1 : 2014 EN 60079-11 : 2012 EN 60079-31 : 2014**

except in respect of those requirements listed at item 16 of the Schedule.

**(10) If the sign "X" is placed after the certificate number, it indicates that the product is subject to the Specific Conditions of Use specified in the schedule to this certificate.**

**(11) This EU-Type Examination Certificate relates only to the design and construction of the specified product. Further requirements of the Directive apply to the manufacturing process and supply of this product. These are not covered by this certificate.**

**(12) The marking of the product shall include the following:**



**II 1 G Ex ia IIC T6...T1 Ga**  
**II 1 D Ex ia IIC T85 °C...T450 °C Da**  
**II 2 G Ex db IIC T6...T1 Gb**  
**II 2 D Ex tb IIC T85 °C...T450 °C Db**

Date of certification: 8 June 2018

DEKRA Certification B.V.



R. Schuller  
Certification Manager

Page 1/2

© Integral publication of this certificate and adjoining reports is allowed. This Certificate may only be reproduced in its entirety and without any change.  
 DEKRA Certification B.V. Meander 1051, 6825 MJ Arnhem P.O. Box 5185, 6802 ED Arnhem The Netherlands  
 T +31 88 96 83000 F +31 88 96 83100 www.dekra-certification.com Registered Arnhem 09085396




## IECEX Certificate of Conformity

INTERNATIONAL ELECTROTECHNICAL COMMISSION  
IEC Certification Scheme for Explosive Atmospheres  
for rules and details of the IECEX Scheme visit www.iecex.com

Certificate No.:	IECEX DEK 18.0024X	Issue No. 0	Certificate history: Issue No. 0 (2018-06-08)
Status:	Current		
Date of Issue:	2018-06-08	Page 1 of 3	
Applicant:	<b>CMR Group</b> Technopole de Château Gombert, 7 rue John Maynard Keynes CS 80012, 13388 Marseille cedex 13 France		
Equipment:	<b>Temperature sensors series AD and ASI</b> Optional accessory:		
Type of Protection:	<b>Ex db, tb, ia</b>		
Marking:	Ex ia IIC T6...T1 Ga Ex ia IIC T85 °C...T450 °C Da Ex db IIC T6...T1 Gb Ex tb IIC T85 °C...T450 °C Db		
Approved for issue on behalf of the IECEX Certification Body:			R. Schuller
Position:			Certification Manager
Signature: (for printed version)			
Date:			2018-06-08

1. This certificate and schedule may only be reproduced in full.  
 2. This certificate is not transferable and remains the property of the issuing body.  
 3. The Status and authenticity of this certificate may be verified by visiting the Official IECEX Website.

Certificate issued by:

DEKRA Certification B.V.  
 Meander 1051,  
 6825 MJ Arnhem  
 The Netherlands





## NOTIFICATION

**(1) Production Quality Assurance**

**(2) Equipment or protective systems or components intended for use in potentially explosive atmospheres – Directive 2014/34/EU**

**(3) Notification Number: DEKRA 17ATEX0126 Issue Number: 0**

**(4) This notification is issued for the equipment or protective systems or components which are described in the EC- or EU-Type Examination Certificates listed in the latest edition of the on-line QAR "NL/DEK/QAR17.0022" on www.iecex.com.**

**(5) Manufacturer: CMR Group Technopole de Chateau Gombert 7 rue John Maynard Keynes 13381 Marseille France**

**(6) Manufacturing location: CMR Group Technopole de Chateau Gombert 7 rue John Maynard Keynes 13381 Marseille France**

**(7) DEKRA Certification B.V., notified body number 0344 in accordance with Article 21 of the Council Directive 2014/34/EU of 26 February 2014, notifies to the applicant that the production site has a production quality system which complies with Annex IV and VII to the directive.**

**(8) This notification is based on audit report no. NL/DEK/QAR17.0022/00.**

Surveillance of the production process is part of this notification. This notification can be withdrawn if the manufacturer no longer satisfies the requirements of Annex IV and VII.

**(9) This notification is valid from: 21 February 2018 This notification is valid until: 21 February 2021**

**(10) According to Article 16 (3) of the Directive 2014/34/EU the CE marking shall be followed by the identification number identifying the notified body involved in the production control stage. In accordance with Article 15 (3) no components shall be affixed with the CE marking.**

**(11) The marking of the equipment, component or protective system shall include the identification number of DEKRA Certification B.V.:**

0344



Amhem, 21 February 2018  
DEKRA Certification B.V.



R. Schuller  
Certification Manager

Page 1/1

© Integral publication of this Notification and adjoining reports is allowed. This Notification may only be reproduced in its entirety and without any change.  
 DEKRA Certification B.V. Meander 1051, 6825 MJ Arnhem P.O. Box 5185, 6802 ED Arnhem The Netherlands  
 T +31 88 96 83000 F +31 88 96 83100 www.dekra-certification.com Registered Arnhem 09085396

## IECEX Quality Assessment Report

Page 1 of 1

INTERNATIONAL ELECTROTECHNICAL COMMISSION  
IEC Certification Scheme for Explosive Atmospheres  
for rules and details of the IECEX Scheme visit www.iecex.com

QAR Reference No.	NL/DEK/QAR17.0022/00	Status	Current
QAR Free Ref. No.	222034000	Date of Issue	2018-02-21
Detail of change	N/A	Valid until	2020-12-13
Site(s) audited	CMR Group, Technopole de Chateau Gombert, 7 rue John Maynard Keynes, 13381 Marseille, France	Audit date	2017-12-13
Issuing ExCB	DEK - DEKRA Certification B.V.		
Manufacturer	CMR Group, Technopole de Chateau Gombert, 7 rue John Maynard Keynes, 13381 Marseille, France		
Country of Manufacturer	France		
Product Information	Thermal sensors		
Protection concept	Ex d, Ex i and Ex t		
Related QARs	NL/DEK/QAR17.0022/00		
Related Certificates (manual insertion)	Pending		
Related Certificates (automatic linking)	N/A		
Related Certificates for previous versions	N/A		

**Comments**

The listed ATEX certificate is related to Notification No. DEKRA 17ATEX0126.

# Sonde antidéflagrante type AD

Sonde de température ATEX/IECEX Ex d avec tête de raccordement antidéflagrant suivant codification (page 4).

## Sonde:

- A visser
- A visser avec extension
- A visser avec manchette
- Doigt de gant avec ou sans bride
- Têtes: divers coloris sur demande
- Têtes de raccordement en aluminium, inox ou transmetteur de terrain

# Flameproof probe AD type

ATEX/IECEX Ex d temperature probe with explosion-proof head according to codification (page 4).

## Probe:

- Screwed
- Screwed with extension,
- Screwed with nipple,
- Thermowell with or without flange
- Heads: various several colors on request
- Heads in aluminum, Stainless steel or transmitter housing



## Têtes Disponibles / Available Heads:



TTE 200



FRC



XD-ADF



XD-SDWIN



TTE100



Sonde antidéflagrante type AD, avec homologation ATEX/IECEX  
Flameproof probe type AD, with ATEX/IECEX approval



## Caractéristiques

### Température d'utilisation:

**Sonde Pt100:** Classe B ou A suivant IEC 60751  
-40°C à 400°C

**Thermocouple type:** Simple ou double K,  
classe 1 suivant IEC 60584.1 Autre sur demande

### Montage:

Raccordement Pt100 simple 1x3 fils,  
1x4 fils ou Pt100 double 2x3 fils  
Thermocouple simple ou double

### Gaine de protection:

Acier inox 316, autre sur demande  
Extension longueur 80 mm raccord  
union et manchette  
Diamètre standard (mm): 10, 12, 14, 16, 20  
Longueur utile (mm): 100, 150, 200, 300, 400  
Autre sur demande

### Raccordement procédé:

G 1/2", autre sur demande

### Tête de raccordement:

Tête de raccordement antidéflagrante en aluminium ou en  
inox, ou boîtier de terrain, avec afficheur LCD (option)  
Entrée électrique par presse-étoupe M20,  
Autre sur demande

### Raccordement électrique:

Bornier céramique 4 ou 6 plots, ou via transmetteur  
4-20 mA

### Test d'isolement / tenue de pression:

>100MΩ voltage 500 Vrms / T° ambiante  
Pression maxi admissible : 30 bar / T° ambiante

### Options:

Transmetteur sortie 4-20 mA avec ou sans communication  
HART (voir ci-dessous)

### Paramètres de sécurité

Caractéristiques maximales d'entrée au bornier de  
raccordement (sonde sans transmetteur):  
U<sub>max</sub> = 10VDC, I<sub>max</sub> = 10mA

### Certifications

Normes applicables : EN/IEC 60079-0, EN/IEC 60079-1,  
EN/IEC 60079-31  
Marquage: Ex db IIC T6...T1 Gb / Ex tb IIIC T85°C...  
T450°C Db  
T° ambiante: selon la classe de température, tête de  
raccordement et transmetteurs sélectionnés.

Certificats ATEX/IECEX :  
DEKRA 17ATEX0091X et IECEX DEK 18.0024X

## Technical data

### Temperature range:

**RTD Pt100:** Class B or A according to IEC 60751  
-40°C to 400°C

**Thermocouple type:** type K single or dual, class 1  
according to IEC 60584.1 Other available on request

### Manufacturing:

Single RTD Pt100 1x3 wires,  
1x4 wires or dual 2x3 wires  
Single or dual Thermocouple

### Material sheath:

SS316L; other available on request  
Extension: 80mm, union and nipple  
Standard diameter (mm): 10, 12, 14, 16, 20  
Useful length (mm): 100, 150, 200, 300, 400  
Other available on request

### Process connection:

G 1/2", other available on request

### Terminal head:

Aluminum or stainless steel explosion-proof head, or field  
housing with optionnal LCD display. M20x1.5 electrical  
connection with Ex d cable gland  
Other available on request

### Terminal block:

Ceramic terminal 3 or 6 terminals, or via 4-20 mA  
transmitter

### Isolation and dielectric resistance:

>100MΩ voltage 500 Vrms @ ambient T°  
Maximum pressure: 30 Bar @ ambient T°

### Options:

4-20 mA output transmitter with or without HART  
communication (see below)

### Safety parameters

Maximum input characteristics at the terminal block  
(sensor without transmitter):  
U<sub>max</sub> = 10VDC, I<sub>max</sub> = 10mA

### Certifications

Applicable standards: EN/IEC 60079-0, EN/IEC 60079-1,  
EN/IEC 60079-31  
Marking: Ex db IIC T6...T1 Gb / Ex tb IIIC T85°C...T450°C  
Db  
Ambient T°: according to temperature Class, connection  
head, and selected transmitters.

ATEX/IECEX certificates:  
DEKRA 17ATEX0091X and IECEX DEK 18.0024X



Sonde antidéflagrante type AD, avec homologation ATEX/IECEX  
 Flameproof probe type AD, with ATEX/IECEX approval



# Codifications

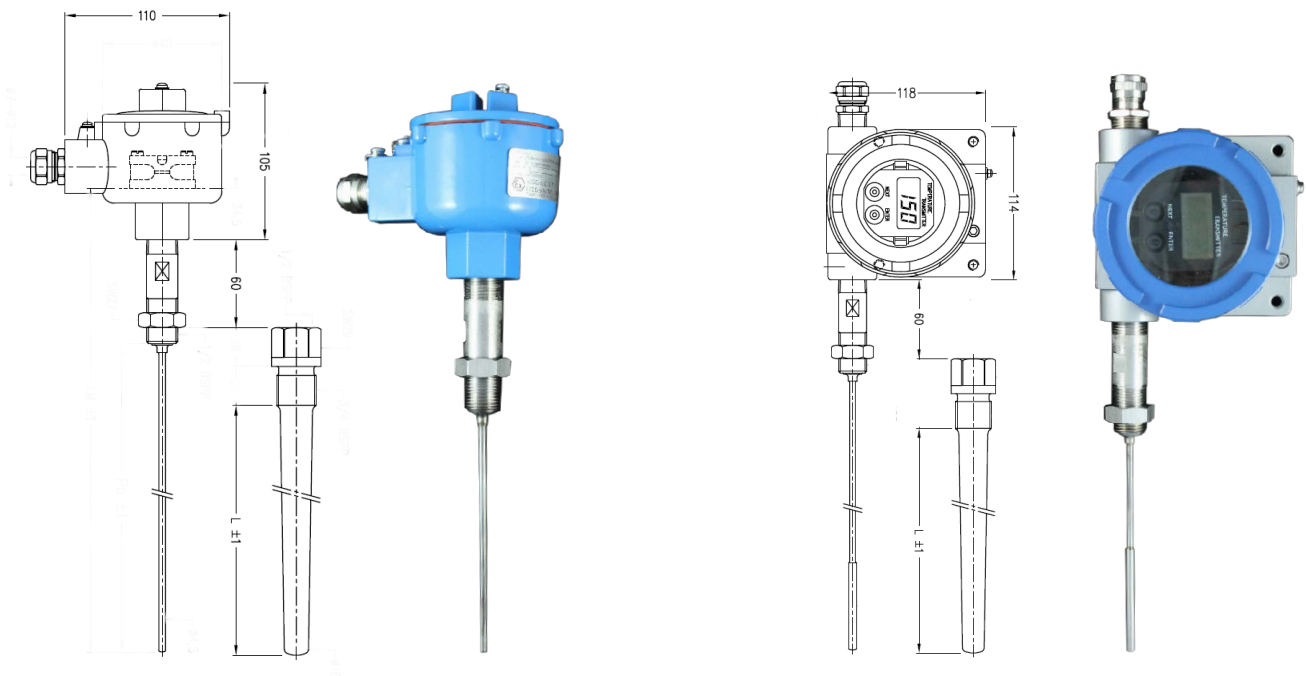
DGF = doigt de gant fileté / drilled thermowell

DGS = doigt de gant soudé / welded thermowell

Type: AD

<b>Tête de raccordement</b> <i>Terminal head</i>	TTE100	Aluminium / Aluminum	FRC2C	Inox avec afficheur / SS with LCD		
	TTE160	Inox / Stainless Steel	-	Autre préciser / Other on request		
	FRC1C	Al avec afficheur / Al with LCD				
<b>Terminaison électrique</b> <i>Electrical termination</i>	V	Bornier céramique / Ceramic terminal	TiXo3	Convertisseur TiXo3 (HART) / STiXo3 transmitter (HART)		
	TiXo1	Convertisseur TiXo1 / TiXo1 transmitter	5437	Transmetteur double capteur (HART) / Double sensor transmitter (HART)		
	TiXo1	Convertisseur TiXo2 / TiXo2 transmitter	-	Autre préciser / Other on request		
<b>Élément sensible</b> <i>Sensing element</i>	S	Simple Pt100 / Pt100 single	CC	Double Thermocouple / Dual Tc		
	SS	Double Pt100 / Dual Pt100	-	Autre préciser / Other on request		
	C	Simple Thermocouple / Single				
<b>DDG</b> <i>Thermowell</i>	DGF1/2	DGF, filetage BSP / DGF G' thread	DGS/NPT	Avec filetage NPT / with NPT thread		
	DGF/NPT	DGF, filetage NPT / DGF NPT thread	FS1/2	FOURREAU soudé / Welded sheath		
	DGS1/2	DGS, filetage BSPP / DGS BSPP thread	-	Autre préciser / Other on request		
<b>Plongeur</b> <i>Immersion depth (L)</i>	100mm	150mm	200mm	300mm	400mm	Autre préciser / Other on request
	<b>Diamètre</b> <i>Diameter (Ø)</i>	10mm	12mm	14mm	16mm	20mm
<b>Classe, Montage</b> <i>Class, Wiring</i>	B3F	Classe B, 3 fils / Class B, 3-wires	A4F	Classe A, 4 fils / Class A, 4-wires		
	B4F	Classe B, 4 fils / Class B, 4-wires	CL1	Classe 1 / Class 1		
	A3F	Classe A, 3 fils / Class A, 3-wires				

# Encombrement | Dimensions:





# Accessoires | Accessories

Disponible pour les modèles AD et ASI

Available for both AD and ASI models

## Doigts de gant | Thermowells

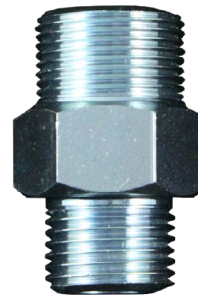


**Doigts de gant mécano-soudés**  
*Welded thermowells*

**Doigts de gant à bride**  
*Flanged thermowells*

**Doigts de gant forés dans la masse**  
*Drilled thermowells*

## Adaptateurs & Raccords | Adaptors & Unions



# Sonde Sécurité Intrinsèque type ASI

Sonde de température ATEX/IECEX Ex ia avec tête de raccordement suivant codification page 8

## Sonde:

- A visser
- A visser avec extension
- A visser avec manchette
- Doigt de gant avec ou sans bride
- Têtes: divers coloris sur demande
- Têtes de raccordement en aluminium, inox ou transmetteur de terrain

# Intrinsic Safety Probe ASI Type

ATEX/IECEX Ex ia temperature probe with connection head according to codification page 8

## Probe with:

- Screwed
- Screwed with extension
- Screwed with nipple
- Thermowell with or without flange
- Heads: various colors on request
- Heads in aluminum, other on request



## Têtes Disponibles / Available Heads:



DINB



DAN



DANAWdia



BEG



KNE



Sonde Sécurité Intrinsèque Ex ia - type ASI,  
avec homologation ATEX/IECEX

*Ex ia Intrinsic safety probe - ASI Type,  
with ATEX/IECEX approval*



## Caractéristiques

### Température d'utilisation:

**Sonde Pt100:** Classe B ou A suivant IEC 60751  
-40°C à 400°C

**Thermocouple type:** Simple ou double K,  
classe 1 suivant IEC 60584-1  
Autre sur demande

### Montage:

Raccordement Pt100 simple 1x3 fils,  
1x4 fils ou Double 2x3 fils  
Thermocouple simple ou double

### Gaine de protection:

Acier inox 316, autre sur demande  
Extension longueur 80 mm raccord union et manchette  
Diamètre standard: 10, 12, 14, 16, 20  
Longueur utile (mm): 100, 150, 200, 300, 400  
Autre sur demande

### Raccordement procédé:

G 1/2", autre sur demande

### Tête de raccordement:

Tête en aluminium ou en inox, ou boîtier de terrain,  
avec afficheur LCD (option)  
Entrée électrique par presse-étoupe M20,  
Autre sur demande

### Raccordement électrique:

Bornier céramique 4 ou 6 plots,  
ou via transmetteur 4-20 mA

### Test d'isolement / tenue de pression:

>100MΩ voltage 500 Vrms / T° ambiante  
Courant de fuite <5 mA sous 500 VAC

### Options:

Transmetteur sortie 4-20 mA avec ou sans communication  
HART (voir ci-dessous)

### Paramètres de sécurité

Caractéristiques maximales d'entrée au bornier de  
raccordement (sonde sans transmetteur):  
U<sub>max</sub> = 30VDC, I<sub>max</sub> = 100mA

### Certifications

Normes applicables : EN/IEC 60079-0, EN/IEC 60079-11  
Marquage:  
Ex ia IIC T6...T1 Ga / Ex ia IIIC T85°C...T450°C Da  
T° ambiante: selon la classe de température, tête de  
raccordement et transmetteurs sélectionnés.

Certificats ATEX/IECEX:

DEKRA 17ATEX0091X et IECEX DEK 18.0024X

## Technical data

### Temperature range:

**RTD Pt100:** Class B or A according to IEC 60751  
-40°C to 400°C

**Thermocouple type:** type K single or dual,  
class 1 according to IEC 60584-1  
Other available on request

### Manufacturing:

Single RTD Pt100 1x3 wires,  
1x4 wires or dual 2x3 wires  
Single or dual Thermocouple

### Material sheath:

SS316L; other available on request  
Extension: 80mm, union and nipple  
Standard diameter (mm): 10, 12, 14, 16, 20  
Useful length (mm): 100, 150, 200, 300, 400  
Other available on request

### Process connection:

G 1/2", other available on request

### Terminal head:

Aluminum, cast-iron or stainless steel explosion-proof  
heads, or field housing, with optionnal LCD display.  
M20x1.5 electrical connection with polyamide material  
cable gland. Other available on request

### Terminal block:

Ceramic terminal 3 or 6 terminales, or via 4-20 mA  
transmitter

### Isolation and dielectric resistance:

>100MΩ voltage 500 Vrms @ Ambient T°,  
<5 mA leakage current with 500 VAC

### Options:

4-20 mA output transmitter with or without HART  
communication (see below)

### Safety parameters

Maximum input characteristics at the terminal block  
(sensor without transmitter): U<sub>max</sub> = 30VDC, I<sub>max</sub> =  
100mA

### Certifications

Applicable standards: EN/IEC 60079-0, EN/IEC 60079-11  
Marking:  
Ex ia IIC T6...T1 Ga / Ex ia IIIC T85°C...T450°C Da  
Ambient T°: according to temperature Class, connection  
head, and selected transmitters.

ATEX/IECEX certificates:

DEKRA 17ATEX0091X and IECEX DEK 18.0024X





Sonde Sécurité Intrinsèque Ex ia - type ASI,  
avec homologation ATEX/IECEX

Ex ia Intrinsic safety probe - ASI Type,  
with ATEX/IECEX approval



# Codifications

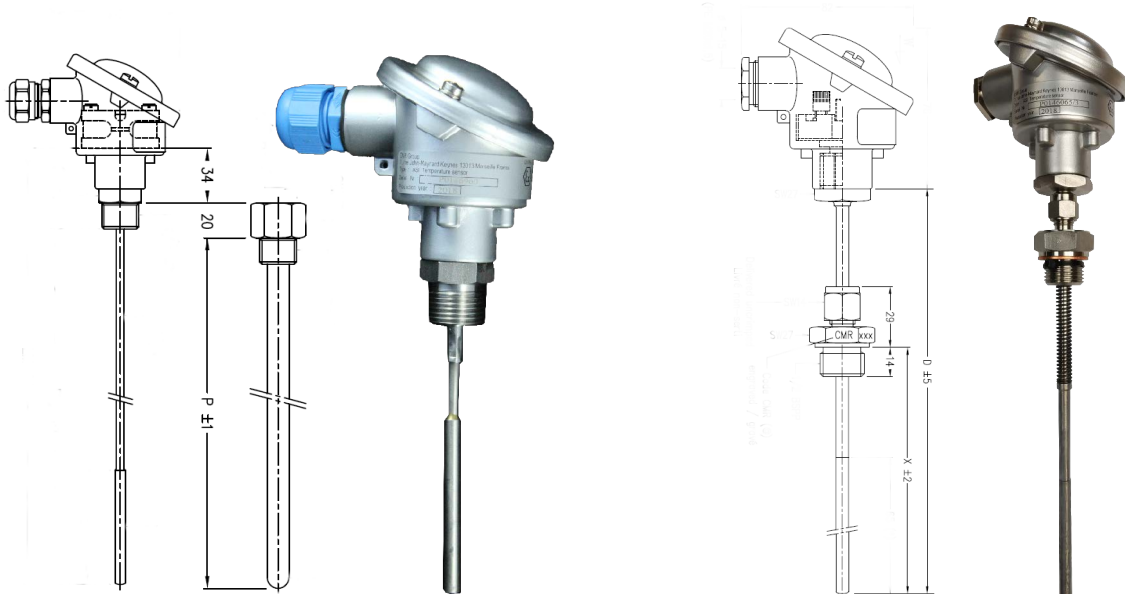
DGF = doigt de gant fileté / drilled thermowell

DGS = doigt de gant soudé / welded thermowell

Type: ASI

<b>Tête de raccordement</b> <i>Terminal head</i>	DIN.B	Aluminium / Aluminum	FRC2E	Inox avec afficheur / SS with LCD		
	DTTA100	Aluminium / Aluminum	DANAWDIA	Alu avec afficheur / Alu. with LCD		
	FRC1E	Al avec afficheur / Al with LCD	-	Autre préciser / Other on request		
<b>Terminaison électrique</b> <i>Electrical termination</i>	V	Bornier céramique / Ceramic terminal	TiXo3	Convertisseur TiXo3 (HART) / STiXo3 transmitter (HART)		
	TiXo1	Convertisseur TiXo1 / TiXo1 transmitter	5437	Transmetteur double capteur (HART) / Double sensor transmitter (HART)		
	TiXo1	Convertisseur TiXo2 / TiXo2 transmitter	-	Autre préciser / Other on request		
<b>Élément sensible</b> <i>Sensing element</i>	S	Simple Pt100 / Pt100 single	CC	Double Thermocouple / Dual Tc		
	SS	Double Pt100 / Dual Pt100	-	Autre préciser / Other on request		
	C	Simple Thermocouple / Single				
<b>DDG</b> <i>Thermowell</i>	DGF1/2	DGF, filetage BSP / DGF G' thread	DGS/NPT	Avec filetage NPT / with NPT thread		
	DGF/NPT	DGF, filetage NPT / DGF NPT thread	FS1/2	FOURREAU soudé / Welded sheath		
	DGS1/2	DGS, filetage BSPP / DGS BSPP thread	-	Autre préciser / Other on request		
<b>Plongeur</b> <i>Immersion depth (L)</i>	100mm	150mm	200mm	300mm	400mm	Autre préciser / Other on request
	10mm	12mm	14mm	16mm	20mm	Autre préciser / Other on request
<b>Diamètre</b> <i>Diameter (Ø)</i>	100mm	150mm	200mm	300mm	400mm	Autre préciser / Other on request
	10mm	12mm	14mm	16mm	20mm	Autre préciser / Other on request
<b>Classe, Montage</b> <i>Class, Wiring</i>	B3F	Classe B, 3 fils / Class B, 3-wires	A4F	Classe A, 4 fils / Class A, 4-wires		
	B4F	Classe B, 4 fils / Class B, 4-wires	CL1	Classe 1 / Class 1		
	A3F	Classe A, 3 fils / Class A, 3-wires				

## Encombrement | Dimensions:



## A propos de CMR...

Créée en 1959 à Marseille, CMR Group conçoit, développe et commercialise une gamme complète de produits d'instrumentation qui répond aux exigences de la Marine et des constructeurs de moteurs ainsi qu'à celles de l'industrie dans les domaines de l'instrumentation et de l'automatisme.

Aujourd'hui parmi les leaders mondiaux en instrumentation, CMR Group emploie plus de 700 personnes dont 60 ingénieurs, qui développent et commercialisent dans des locaux parfaitement équipés, une gamme de produits allant du capteur au système complet de supervision.

La fiabilité des produits CMR est rigoureusement contrôlée par les Bureaux de Classification Marine et Nucléaire et par notre Département Qualité. Ainsi, CMR est certifiée ISO 9001-2008 et ISO14001 par l'AFAQ, la plus grande partie de notre production étant certifiée LRS, GL, NKK, ABS, RINA, KRS, RMRS.

CMR est un groupe international, implanté en Angleterre, Etats Unis, Corée du Sud, Singapour, Inde, Philippines, Thaïlande, Tunisie et Chine, et dispose d'un réseau d'agents et distributeurs implantés stratégiquement aux quatre coins du globe.

## CMR Profile...

Created in 1959 with HQ based in Marseille, CMR Group designs, develops and commercialises a complete range of instrumentation systems and automation which meets the specific requirements of engine manufacturers serving the marine, power generation, gas compression and industrial marketplaces.

Today, as a top international leader in providing instrumentation and control solutions, CMR employs more than 700 people - 60 of whom are professional engineers - who continually design and market new innovations in sensor and supervisory system technology.

The reliability of our products is constantly monitored by regulatory Marine and Nuclear agencies, as well as by our own Quality Department. CMR manufactures under ISO 9001-2008 and ISO 14001,02 (AFAQ certification) marine and certification bodies LRS, GL, NKK, ABS, RINA, CCS, KRS, and RMRS as well as CSA.

CMR is an international company, with facilities in France, UK, USA, South Korea, Singapore, Thailand, Philippines, India, Tunisia and China. We also have an extensive network of agents and dealers that represent us in the world's most strategic areas.



## **CMR CHINA**

CMR Suzhou Electrical Devices  
Workshop A5, No. 9 Weixin Road  
Suzhou Industrial Park  
CHINA P.C. 215122

Tel: +86 512 6289 0311-8000  
Fax: +86 512 6289 0312  
Email: cmr-cn@cmr-group.com

## **CMR INDIA**

CMR Control Systems India Pvt Ltd  
S.No.15/2, Bhilarewadi  
Dhone-Nahar Warehouse  
Katraj

Pune - 411 041, INDIA  
Tel: +91 9067291775  
Email: cmr-in@cmr-group.com

## **CMR FAR EAST**

CMR (Far East) PTE LTD  
9 Tuas View Crescent,  
SINGAPORE 637612

Tel: +65 6268 8311  
Fax: +65 6265 7443  
Email: cmr-fe@cmr-group.com

## **CMR GROUP HQ**

Technopole de Chateau Gombert  
7 rue John Maynard Keynes  
CS 80012  
13381 Marseille Cedex 13  
FRANCE

Tel: +33 4 91 11 37 00  
Fax: +33 4 91 11 37 02  
Email: cmr-fr@cmr-group.com

## **CMR US**

CMR USA, LLC  
940 Riverside Place  
Leetsdale, PA 15056  
USA

Tel: +1 (724) 452 2200  
Fax: +1 (724) 452 2203  
Email: cmr-us@cmr-group.com

## **CMR GROUP KOREA**

CMR Group Korea LLC  
1206 Centum T-Tower,  
66 Centum Joongang-ro (Central  
Street), Haeundae-gu, Busan  
SOUTH KOREA 612-020

Tel: +82 51 743 3902~3  
Tel: +82 10 6307 0404  
Fax: +82 51 743 3904  
Email: cmr-gkr@cmr-group.com

## **CMR PHILIPPINES**

CMR Philippines, Inc.  
14F Penthouse ALPAP II Building  
Trade Street cor. Investment Drive  
Madrigal Business Park Ayala Alabang  
Muntinlupa City 1781  
PHILIPPINES

Tel: +63 2 810 5352  
Email: cmr-ph@cmr-group.com

## **CMR UK**

Controle Mesure Regulation (UK) Ltd  
New York Way  
New York Industrial Park  
Wallsend, Tyne and Wear  
NE27 0QF  
UNITED KINGDOM

Tel: +44 (0) 191 258 5222  
Fax: +44 (0) 191 257 3975  
Email: cmr-uk@cmr-group.com

## **CMR TUNISIA**

Contrôle Mesure Régulation Tunisie  
Chemical Street 33  
Industrial Aera  
Sidi Rezig 2033  
TUNISIA

Tel: +216 71 426 978  
Fax: +216 71 426 993  
Email: cmr-tn@cmr-group.com

CMR Representative:

---

